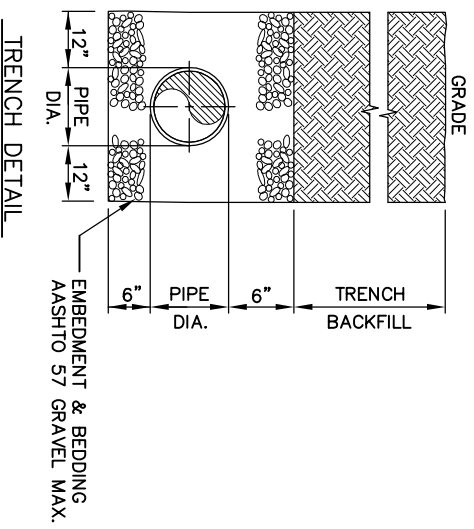
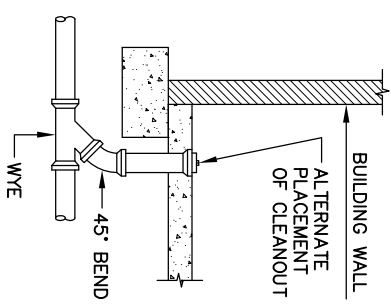


**CONDENSED INSTALLATION SPECIFICATIONS**  
SEWER SERVICE LINE & SEWER SERVICE CONNECTIONS SHALL BE INSTALLED BY SKILLED WORKMEN AT THE COST OF THE CUSTOMER.

- NOTES:**
1. ALL PIPE SHALL BE 4" OR 6" SDR35 OR SCH. 40 PVC. SLOPE SHALL BE MIN. 1/4" PER FOOT FOR 4" LINE & 1/8" PER FOOT FOR 6" LINE.
  2. VENT PIPES & CLEANOUTS ARE NOT PERMITTED TO BE LOCATED IN DRIVEWAYS, CART PATHS, WALKWAYS, PATIOS, PORCHES, OR OTHER FINISHED SURFACE AREAS.



**CONNOQUEENESSING BOROUGH**  
QUAD-CONDO GRAVITY SERVICE CONNECTION TO SANITARY SEWER  
STANDARD DETAIL

ORIGINAL NO.	JUNE 2009
REVISIONS	DATE

SCALE: NONE  
SHEET NO.